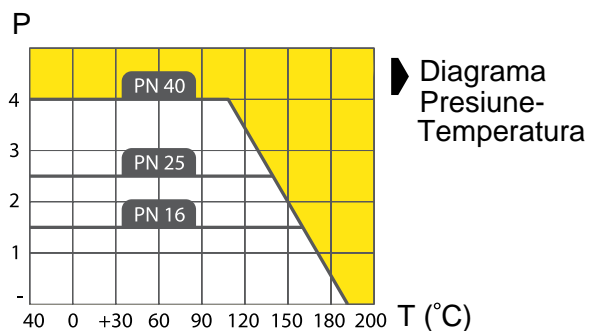


ROBINET SFERA CU ACTIONARE MANUALA CU REDUCTOR

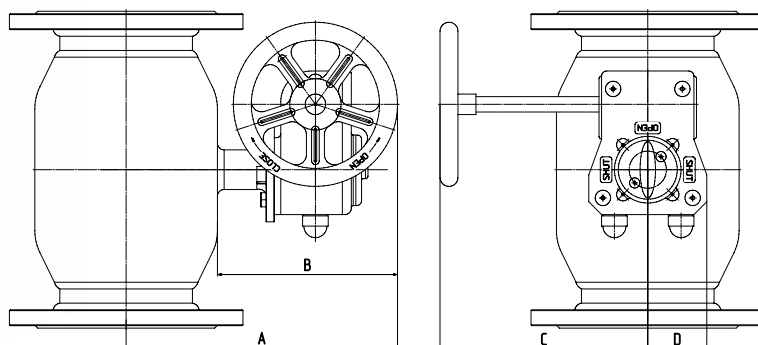


* Aplicatii:

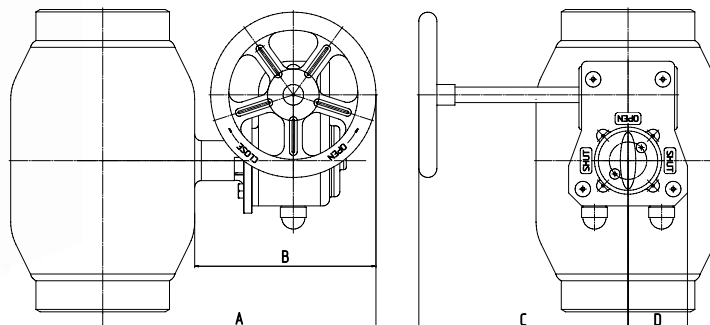
Aceasta actionare este recomandata in cazurile in care este nevoie de eforturi mari la deschidere/inchidere, de asemenea pentru a preveni socurile hidraulice in conducte prin inchidere rapida.



FLANSA / FLANSA



SUDURA / SUDURA



Conexiuni si dimensiuni EN (DIN) la cerere

ROBINET SFERA CU ACTIONARE MANUALA CU REDUCTOR



* Date tehnice pentru trecere redusa:

DN	PN	Cod	Tip reductor	Greutate reductor	Dimensiune in mm				Diametru roata
					A	B	C	D	
50	40	*509402	X-41	1.6	215	177	146	56	160
65	16	*659162	X-41	1.6	222	177	146	56	160
65	25	*659252	X-41	1.6	222	177	146	56	160
80	16	*809162	X-41	1.6	240	183	146	56	160
80	25	*809252	X-41	1.6	240	183	146	56	160
100	16	*1009162	X-41	1.6	250	183	146	60	160
100	25	*1009252	X-41	1.6	250	183	146	60	160
125	16	*1259162	X-61	2.7	296	206	213	60	200
125	25	*1259252	X-61	2.7	296	206	213	60	200
150	16	*1509162	X-61	2.7	313	203	213	60	200
150	25	*1509252	X-61	2.7	313	203	213	60	200
200	16	*2009162	Q-800 S	7.7	340	204	261	67.5	200
200	25	*2009252	Q-800 S	7.7	340	204	261	67.5	200
250	16	*2509162	Q-1500 S	13.5	433	257	258	78	300
250	25	*2509252	Q-1500 S	13.5	433	257	258	78	300
300	16	*3009162	Q-4000 S	31.5	634	421	399	141	500
300	25	*3009252	Q-4000 S	31.5	634	421	399	141	500
350	16	*3509162	Q-6500 S	37.5	688	423	431	141	500
350	25	*3509252	Q-6500 S	37.5	688	423	431	141	500
400	16	*4009162	Q-6500 S	37.5	688	423	431	141	500
400	25	*4009252	Q-6500 S	37.5	688	423	431	141	500
500	16	*5009162	Q-24000 S	192	871	556	580	255	700
500	25	*5009252	Q-24000 S	192	871	556	580	255	700
600	25	*6009252	Q-24000 S	192	871	556	580	255	700
700	25	*7009252	Q-24000 S	192	871	556	580	255	700

* Tipuri de conexiuni indicate: 1-Flansa , 2-Capat sudura, 3-Filet, 4-Golire sau combinate

* Date tehnice pentru trecere totala:

DN	PN	Cod	Tip reductor	Greutate reductor	Dimensiune in mm				Diametru roata
					A	B	C	D	
50	40	*50402	X-41	1.6	215	177	146	56	160
65	16	*65162	X-41	1.6	222	177	146	56	160
65	25	*65252	X-41	1.6	222	177	146	56	160
80	16	*80162	X-41	1.6	240	183	146	56	160
80	25	*80252	X-41	1.6	240	183	146	56	160
100	16	*100162	X-41	1.6	250	183	146	60	160
100	25	*100252	X-61	1.6	250	183	146	60	160
125	16	*125162	X-61	2.7	296	206	213	60	200
125	25	*125252	X-61	2.7	296	206	213	60	200
150	16	*150162	X-61	2.7	313	203	213	60	200
150	25	*150252	Q-800 S	2.7	313	203	213	60	200
200	16	*200162	Q-800 S	7.7	340	204	261	67.5	200
200	25	*200252	Q-1500 S	7.7	340	204	261	67.5	200
250	16	*250162	Q-1500 S	13.5	433	257	258	78	300
250	25	*250252	Q-1500 S	13.5	433	257	258	78	300
300	16	*300162	Q-6500 S	31.5	634	421	399	141	500
300	25	*300252	Q-6500 S	31.5	634	421	399	141	500
400	16	*400162	Q-24000 S	37.5	688	423	431	141	500
400	25	*400252	Q-24000 S	37.5	688	423	431	141	500
500	16	*500162	Q-24000 S	192	871	556	580	255	700
500	25	*500252	Q-24000 S	192	871	556	580	255	700
600	25	*600252	Q-24000 S	192	871	556	580	255	700

* Tipuri de conexiuni indicate: 1-Flansa , 2-Capat sudura, 3-Filet, 4-Golire sau combinate

Producatorul isi rezerva dreptul de a aplica echipamente auxiliare daca nu se modifica caracteristicile tehnice.

ROBINET SFERA CU ACTIONARE MANUALA CU REDUCTOR



*** Date tehnice pentru Seria MEOF, conexiune flansa
 Actionare electrica pentru trecere redusa**

DN	PN	Cod	Tip reductor	Forța	Timp de actionare	Cursa completa	Putere electromotor, kW	Dimensiuni totale
15	40	*159402	MEOF-6.3/12.5-0.25M-98	6.3	12.5	220	0.11	220x160x114
15	40	*159402	MEOF-16/10-0.25M-96K	16	10	380	0.11	245x200x185
20	40	*209402	MEOF-6.3/12.5-0.25M-98	6.3	12.5	220	0.11	220x160x114
20	40	*209402	MEOF-16/10-0.25M-96K	16	10	380	0.11	245x200x185
25	40	*259402	MEOF-6.3/12.5-0.25M-98	6.3	12.5	220	0.11	220x160x114
25	40	*259402	MEOF-16/10-0.25M-96K	16	10	380	0.11	245x200x185
32	40	*329402	MEOF-12.5/12.5-0.25M-98	12.5	12.5	220	0.11	220x160x114
32	40	*329402	MEOF-16/10-0.25M-96K	16	10	380	0.11	245x200x185
40	40	*409402	MEOF-40/25-0.25M-96	40	25	220	0.12	245x200x185
40	40	*409402	MEOF-40/25-0.25M-96K	40	25	380	0.11	245x200x185
50	40	*509402	MEOF-40/25-0.25M-96	40	25	220	0.12	245x200x185
50	40	*509402	MEOF-40/25-0.25M-96K	40	25	380	0.11	245x200x185
65	16/25	*659162/*659252	MEOF-40/25-0.25M-96	40	25	220	0.12	245x200x185
65	16/25	*659162/*659252	MEOF-40/25-0.25M-96K	40	25	380	0.11	245x200x185
80	16/25	*809162/*809252	MEOF-100/25-0.25M-99	100	25	220	0.26	426x315x300
80	16/25	*809162/*809252	MEOF-100/25-0.25M-99K	100	25	380	0.2	426x315x300
100	16/25	*1009162/*1009252	MEOF-100/25-0.25M-99	100	25	220	0.26	426x315x300
100	16/25	*1009162/*1009252	MEOF-100/25-0.25M-99K	100	25	380	0.2	426x315x300
125	16/25	*1259162/*1259252	MEOF-250/63-0.25M-99	250	63	220	0.26	426x315x300
125	16/25	*1259162/*1259252	MEOF-250/25-0.25M-99K	250	25	380	0.26	450x315x300
150	16/25	*1509162/*1509252	MEOF-250/25-0.25M-99K	250	25	380	0.26	426x315x300
150	16/25	*1509162/*1509252	MEOF-250/63-0.25M-99	250	63	220	0.26	450x315x300
200	16/25	*2009162/*2009252	MEOF-630/15-0.25M-97K	630	15	380	0.22	480x410x402
250	16/25	*2509162/*2509252	MEOF-1000/25-0.25M-97K	1000	25	380	0.22	480x410x402
300	16/25	*3009162/*3009252	MEOF-4000/63-0.25-09K	4000	63	380	0.32	650x340x600
350	16/25	*3509162/*3509252	MEOF-4000/63-0.25M-97K	4000	63	380	0.32	720x660x605
400	16/25	*4009162/*4009252	MEOF-4000/63-0.25M-97K	4000	63	380	0.32	720x660x605
500	16/25	*5009162/*5009252	PEM-B8M Y2 + P3A-C2-20000.1-264-22.48	20000	88	380	1.1	1364x415x605
600	25	*6009252	PEM-B8M Y2 + P3A-C2-20000.1-264-22.48	20000	88	380	1.1	1364x415x605
700	25	*7009252	PEM-B8M Y2 + P3A-C2-20000.1-264-22.48	20000	88	380	1.1	1364x415x605

* Tipuri de conexiuni indicate: 1-Flansa , 2-Capat sudura, 3-Filet, 4-Golire sau combinate